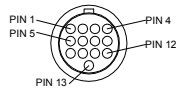


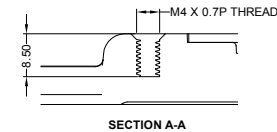
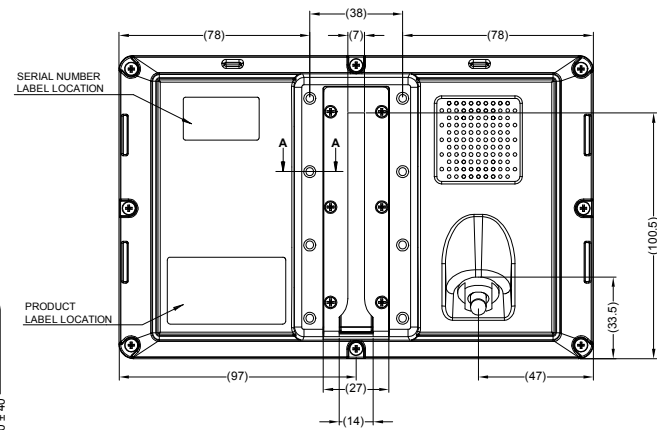
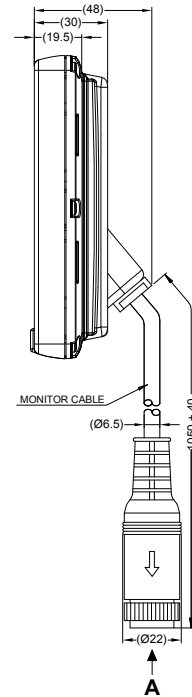
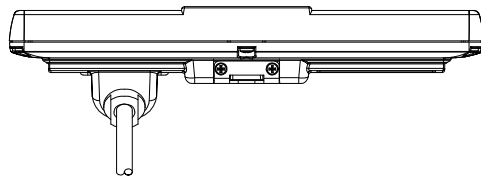
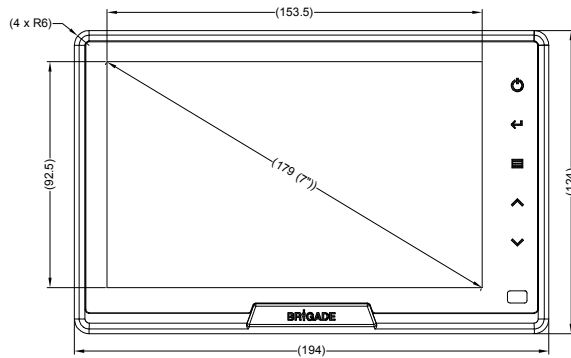
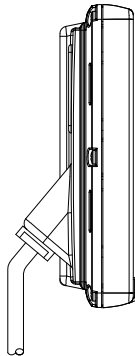
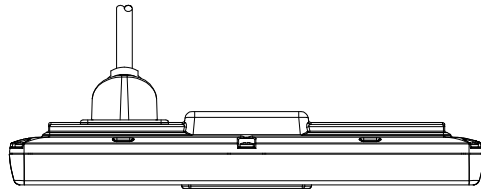
VIEW A



DIN MALE MATING FACE

PIN #	WIRE COLOUR	DESCRIPTION
1	PINK	CA2 VIDEO
2	LIGHT BLUE	CA2 12VDC
3	BROWN	CA1 TRIGGER
4	ORANGE	CA2 AUDIO
5	YELLOW	CA1 VIDEO
6	PURPLE	CA1 12VDC
7	DARK BLUE	CA2 TRIGGER
8	GREEN	CA1 AUDIO
9	WHITE	CA2 9VDC**
10	CYAN	CA1 9VDC**
11	GREY	SOFTWARE
12	SHIELD	GROUND
13	RED	12/24VDC
14	CASING	GROUND

**9VDC IS ONLY SUPPLIED WHEN THE MONITOR IS PUT IN SHUTTER MODE VIA THE OSD MENU.



Revision Notes				
R1 - MONITOR UPDATED & CONNECTOR CHANGED.				
APA: -	Drawn: M.BUTLER	Checked: J.NEWMAN	Approved: D.KERALI	Date: 25/10/10
R2 - UPDATED TO SHOW CORRECT PRODUCT LABEL DETAILS, STANDARDS UPDATED AS PER Q1540.				
APA: T.CHOI	Drawn: R.BATES	Checked: M.BUTLER	Approved: G.PLITH	Date: 28/11/13
R3 - LABEL DETAILS IN NOTES UPDATED.				
APA: T.CHOI	Drawn: R.BATES	Checked: A.FEDERIGHI	Approved: G.PLITH	Date: 31/07/14

- NOTES:**
- FOR PRODUCT LABEL REFER TO LATEST REVISION OF DRAWING BE-002900-XX-14.
 - BRACKET SCREWS TO BE TIGHTENED TO 0.98 NEWTON METRES.
 - REFER TO PRODUCT SPECIFICATIONS FOR MORE DETAILS.



PROPRIETARY NOTICE

THIS DESIGN AND TECHNICAL INFORMATION APPEARING ON THIS DRAWING IS THE PROPERTY OF BRIGADE ELECTRONICS, AND IS DISCLOSED IN CONFIDENCE. IT IS NOT TO BE COPIED, REPRODUCED, REVEALED TO OR EXPROPRIATED BY OTHERS, EITHER IN WHOLE OR IN PART WITHOUT THE EXPRESS WRITTEN CONSENT OF BRIGADE ELECTRONICS.

BRIGADE[®]
www.brigade-electronics.com

Assembly Pl Approval -	Approved by D.KERALI	Checked by J.NEWMAN	Drawn by M.BUTLER
Angle of Projection Third Angle	Units mm	Scale N/A	Released 13/10/10
	Status RELEASED	Assembly Ref BE-970WM-M	
	Part No #3350	BE-001292-03-10	